



Flow ELITE

Elegant and smart

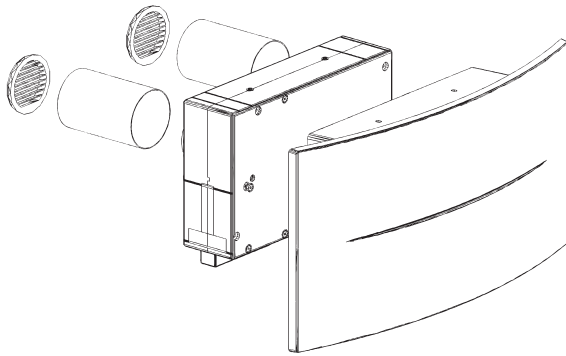
FlowELITE is equipped with a humidity sensor, CO₂ and VOC sensors, 'Color Trust' technology, LED lighting kit, mobile app control. Like the other Flow models, it ensures superior heat recovery and pollutant filtration performance, also adding advanced features that enable it **to blend into room decor, providing comfort and well-being.**

The design cover incorporates **dimmable and timer-controlled LEDs on the sides** to create atmospheric accessory lighting, particularly suitable for living room installations. Operation is automatically regulated by the **humidity, CO₂ and VOC sensors**, to prevent excessive pollutant concentrations, increase air renewal and improve oxygenation.



Healthy air within reach of your app

The 'Color Trust' light sensor indicates the air quality in the home, intuitively informing you when indoor pollutant levels are acceptable or too high. The Air Guard app makes the HRV even easier to use by providing **integrated management of controlled mechanical ventilation systems** and also providing air quality level readings detected by sensors.



Sensors for automatic control of humidity, CO₂ levels and VOCs



Thanks to the supplied infrared remote control, it is easy to operate from anywhere in the room.



Dimmable LED lighting kit.



91%

Heat recovery efficiency



18 dB(A)

Sound pressure level



42 m³/h

Maximum airflow



F7+G4

Air intake filtration



-37.9 kWh/m²a

SEC energy consumption (moderate climates)

Technical data

Energy class

A

Specifications	UoM	Value
Air flow	m ³ /h	10/17/26/37/42 ⁽¹⁾
Air flow adjustment		4 settings + hyperventilation
Power consumption (excluding LED lighting)	W	3.6/5.5/9/17.5/20 ⁽¹⁾
Specific Power Input (excluding LED lighting)	W/m ³ /h	0.35/0.32/0.35/0.49/0.48 ⁽¹⁾
LED consumption	W	12
Power supply	Vac	230
Operating voltage ⁽²⁾	Vdc	24
Max. current consumption ⁽³⁾	A	0.17
Mass	kg	6
Product dimensions (horizontal W x H x D)	mm	695 x 353 x 152
Enthalpy heat exchanger		enthalpy with cross-flow counter flow
Heat recovery efficiency	%	91
Sound power level ⁽⁴⁾	dB(A)	29.5/34.9/42/50.7
Sound pressure ⁽⁵⁾	dB(A)	18/23.4/30.5/39.2
Facade noise abatement Dn,e,w	dB	45
Intake/Extraction filters		F7+G4 / G2
Modbus RTU rs485		Yes ⁽⁶⁾
Energy class (cold / temperate / hot)		A+ / A / E
SEC (cold / temperate / hot)	kWh/m ² a	-74.1 / -37.9 / -14.6
Unit type		UVR-B bidirectional
Specific Power Input SPI ⁽⁷⁾	W/m ³ /h	0.35
Internal leakage rate ⁽⁷⁾	%	0.8
External leakage rate ⁽⁷⁾	%	0.9
Airflow sensitivity to pressure variation (+20Pa to -20Pa)		Class S1
Internal/external air tightness		Class S1

1. In hyperventilation mode
2. The supplied power converter ensures that the unit can run on 230 Vac. To be connected during installation.
3. With 230 V AC supply voltage

4. According to UNI 3744: 2010
5. Measured in a 30 m³ semi anechoic environment at a distance of 3 m

6. This excludes control via the interface panel
7. In accordance with EN 13141-8: 2014-09